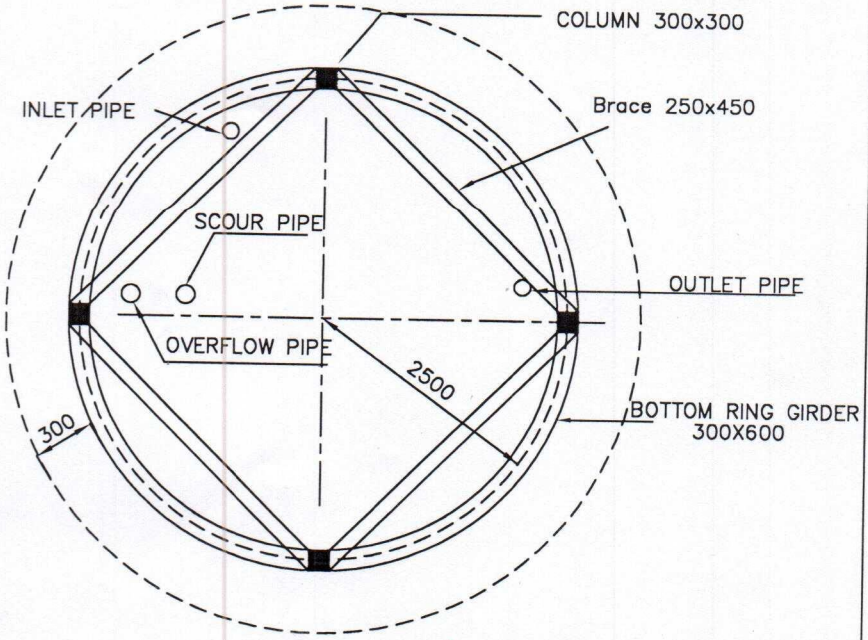


SECTIONAL ELEVATION

NOTE: THIS DRAWING SUPERCEDES THE EARLIER APPROVED DRAWING FOR 40 KL OHSR on 17.04.2017



PLAN

- NOTES
- Grade of Concrete : M30
 - Grade of Steel : Fe500
 - Clear minimum cover
 - Water face:
 - Side walls : 45MM
 - Top & Bottom slabs : 45MM
 - Beams : 45MM
 - Away from Water face:
 - Side walls : 30MM
 - Top & Bottom slabs : 30MM
 - Beams : 30MM
 - Columns : 40MM
 - Footings : 50MM
 - All dimension are in 'mm' unless specified.
 - The steel should not be overlapped at the junction points
 - Not more than 1/2 of the bars should be curtailed at a given section
 - Suitable PVC pipe casing has to be Provided in the staircase column up to the top, for installation of lightening Arrester.
 - Seismic Zone : II
 - Wind speed : 44 m/s (Wind pressure: 1.6 kN/m²)
 - free board: 0.2m
 - Dead storage : 0.15m
 - Total staging is 12m and has to be adjusted in last staging
 - Depth upto Raft Beam top: 1.5m
 - For detailing of reinforcement IS SP-34 shall be followed.

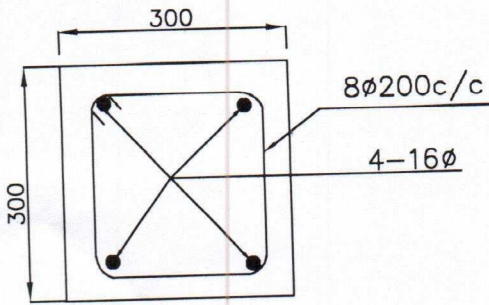
11 APPROVED 11

CET I
CET II
CET II

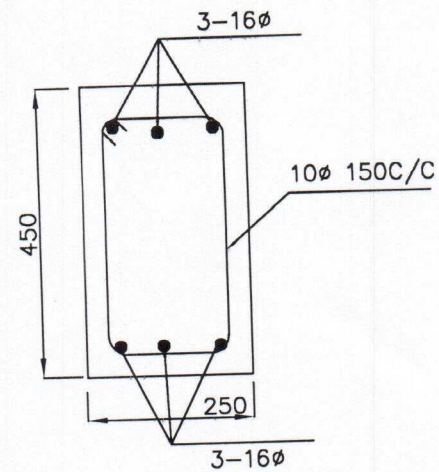
TDWSP, Hyderabad

11/5/2017

Government of Telangana.	
Rural Water Supply & Sanitation Department	
Construction of 40 KL capacity OHSR/OHBR 12m staging column type	
Scale: Not to scale	sheet: 1 of 8
	REV : 01



SECTION OF COLUMN

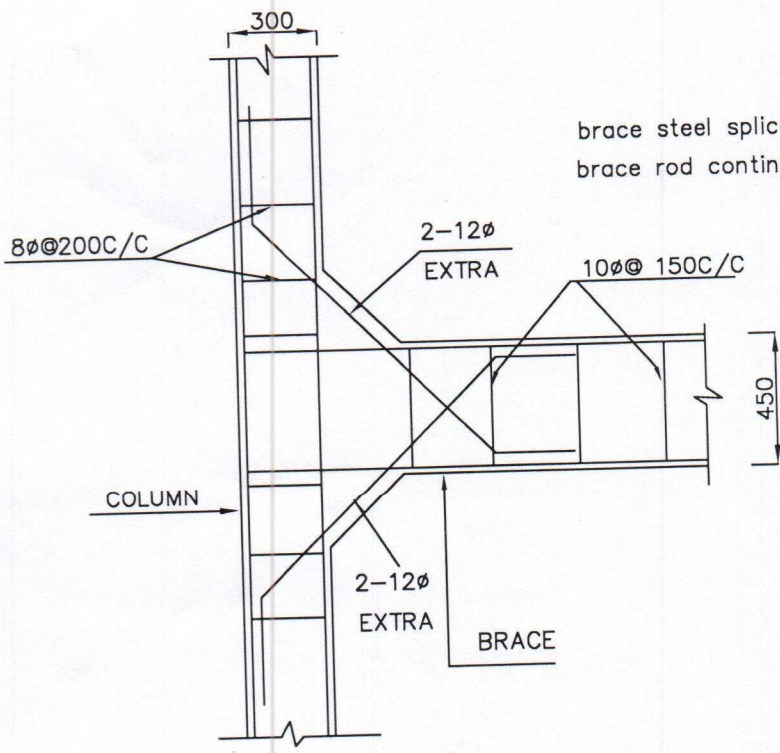


SECTION OF BRACE

NOTE: THIS DRAWING SUPERCEDES THE EARLIER APPROVED DRAWING FOR 40KL OHSR

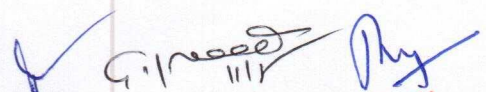

ON 17.04.2017

brace steel spliced at middle section only
brace rod continued at support section

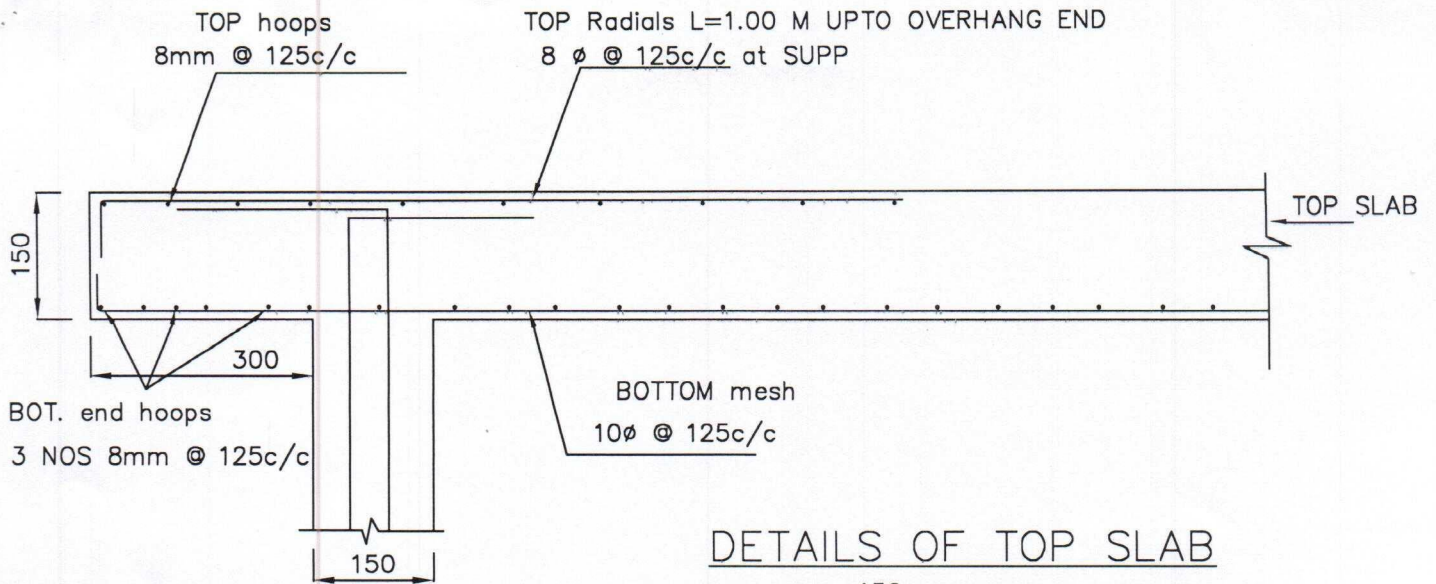


COLUMN BRACE JUNCTION

// APPROVED //


 CE-I CE-II CE-III
 TDWSP, Hyderabad


Government of Telangana.		
Rural Water Supply & Sanitation Department		
Construction of 40 KL capacity OHSR/OHBR 12m staging column type		
Scale: Not to scale	sheet: 2 of 8	REV : 01



DETAILS OF TOP SLAB

NOTE: THIS DRAWING SUPERCEDES THE EARLIER APPROVED DRAWING FOR 40KL OHSR ON 17.04.2017

Hoops in & outside 10mm@150mmc/c

Verticals in & outside 10mm@150mmc/c

Haunch 200 X200 MM

Haunch bars L=1.2 M with 10@ 300c/c
TOP Hoops 3-20+
extra 2-20 upto 1.2m on either side from face of support.

SQUARE MESH AT TOP 12mm@125c/c

2 nos 8 mm

PROVIDE 3-10 MM RINGS

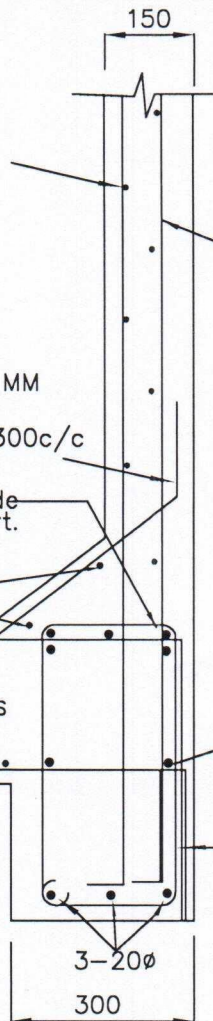
each face 1-16

300

SQUARE MESH AT BOTTOM 12mm@125c/c

stirrups 2L-10@ 150c/c

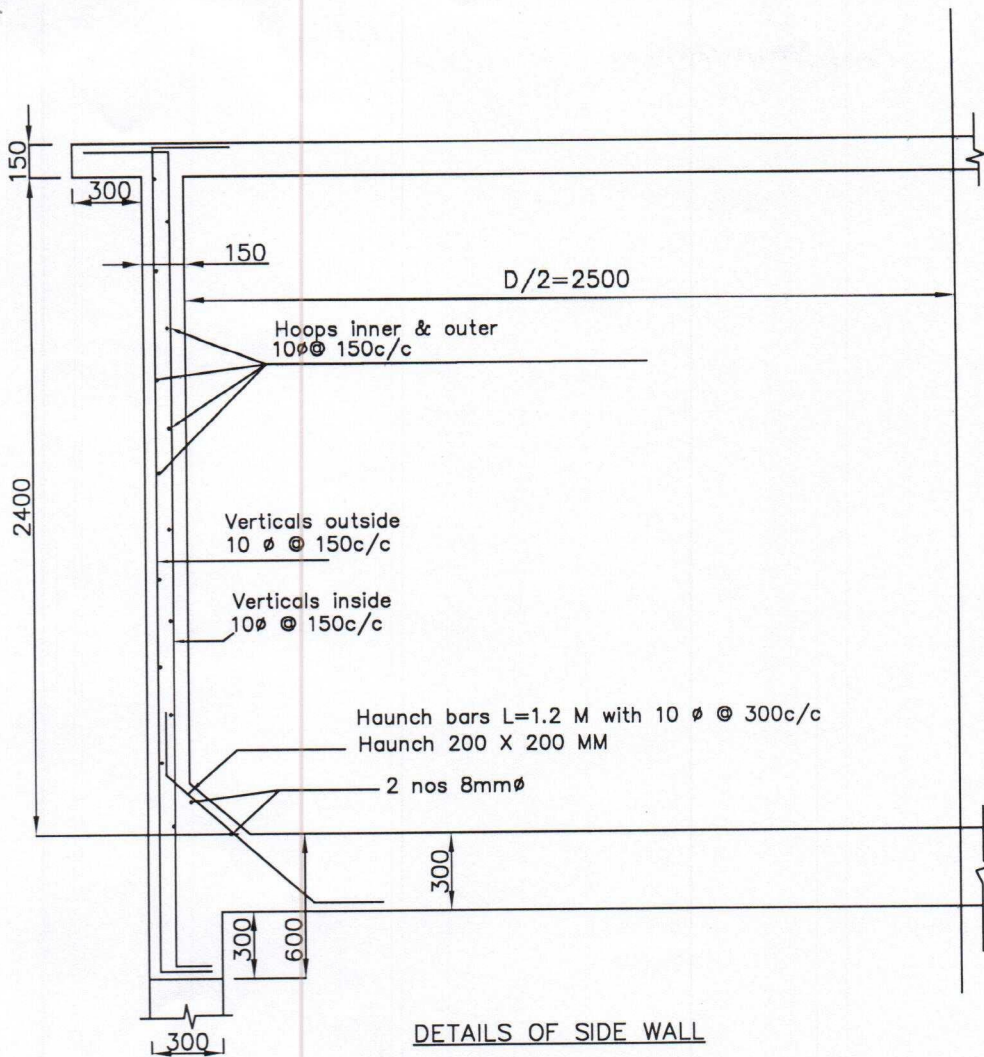
BOTTOM RING BEAM



// APPROVED //

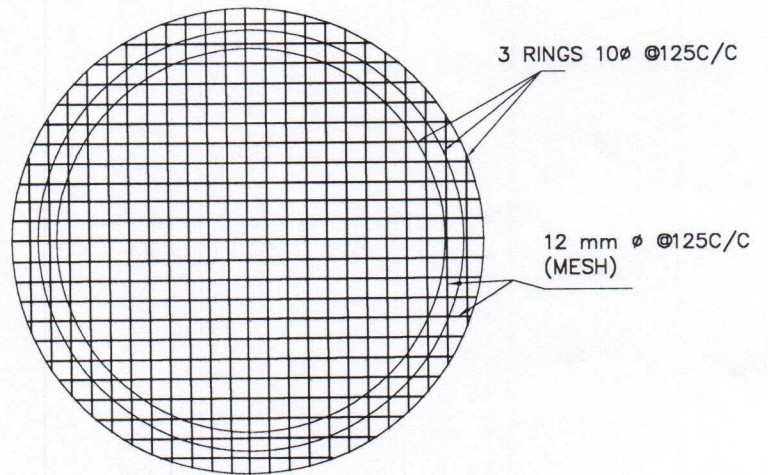
CE - I CE - II CE - III
 TDWSP, Hyderabad
 11/5/17 11/5/17 11/5/17

Government of Telangana.		
Rural Water Supply & Sanitation Department		
Construction of 40 KL capacity OHSR/OHBR 12m staging column type		
Scale: Not to scale	sheet: 3 of 8	REV : 01



DETAILS OF SIDE WALL

NOTE: THIS DRAWING
SUPERCEDES THE
EARLIER APPROVED
DRAWING FOR 40KL
OHSR ON 17.04.2017



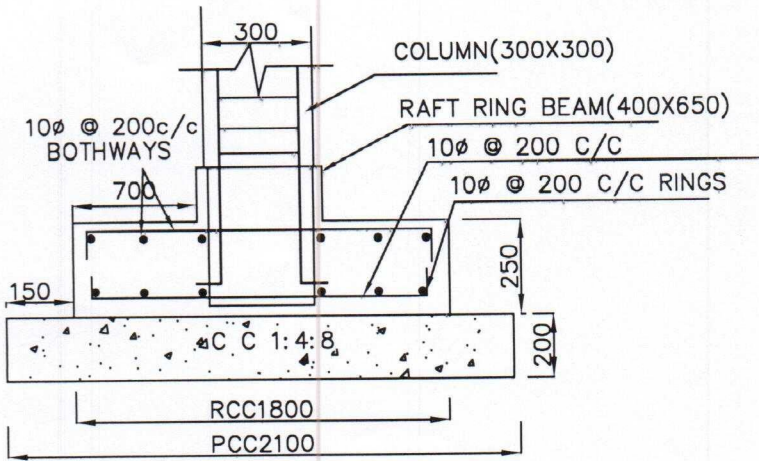
REINFORCEMENT PLAN OF BOTTOM SLAB (FOR TOP AND BOTTOM MATS)

|| APPROVED ||

CE-1
CE-II
CE-III
TDWSP, Hyderabad

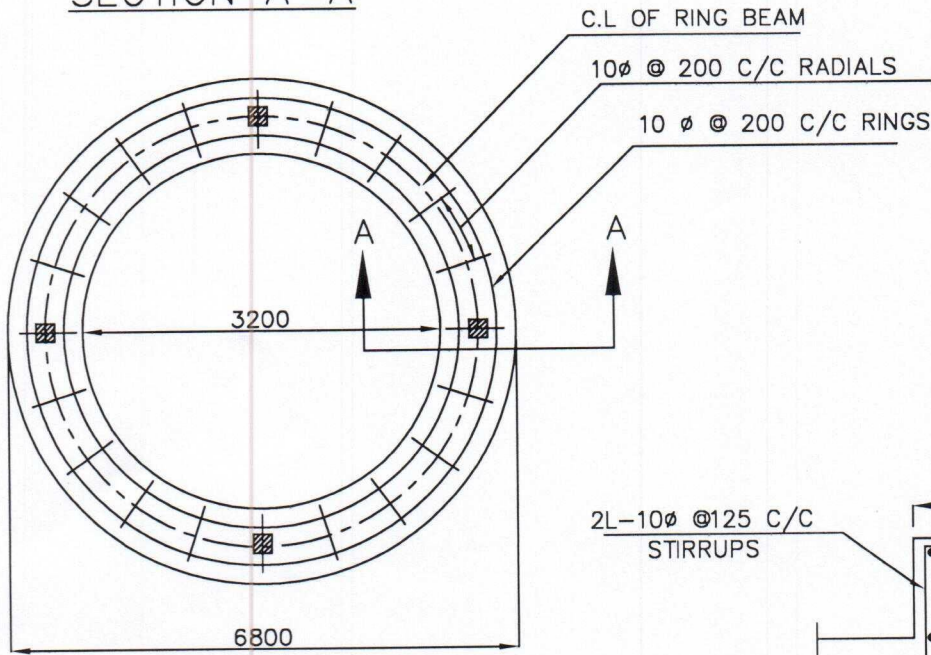
11/5/17
11/5/17
11/5/17
M
11/5/17

Government of Telangana.	
Rural Water Supply & Sanitation Department	
Construction of 40 KL capacity OHSR/OHBR 12m staging column type	
Scale: Not to scale	sheet: 4 of 8
REV : 01	

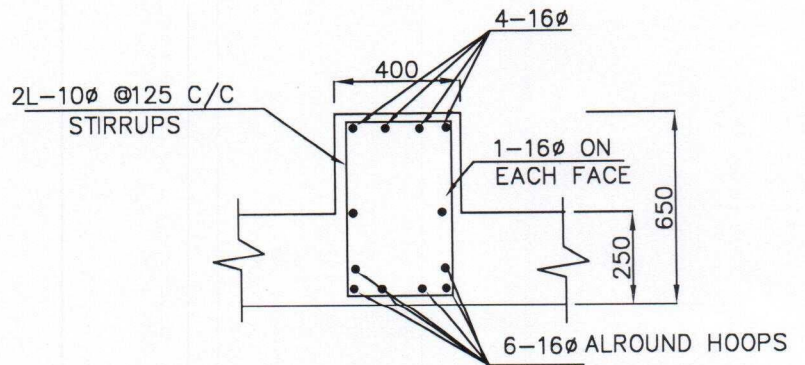


SECTION A-A

NOTE: THIS DRAWING SUPERCEDES THE EARLIER APPROVED DRAWING FOR 40KL OHSR ON 17.04.2017



BOTTOM REINFORCEMENT OF RING FOUNDATION
SBC - 7.5t/m²



SECTION OF RING RAFT BEAM

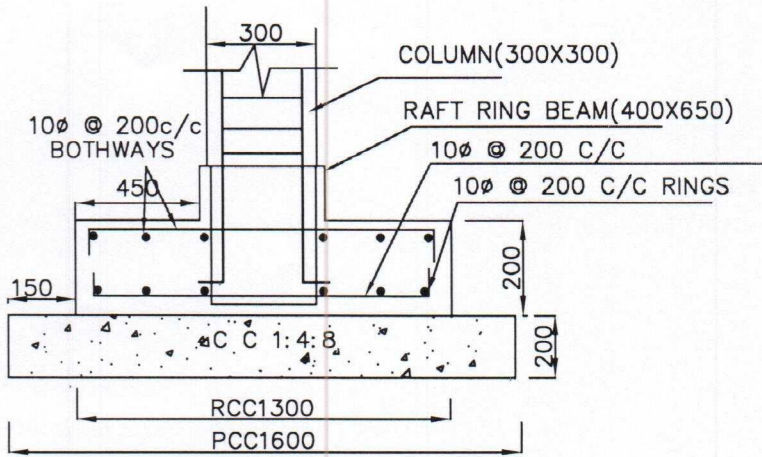
// APPROVED //

CE-I G. neeed CE-II CE-III

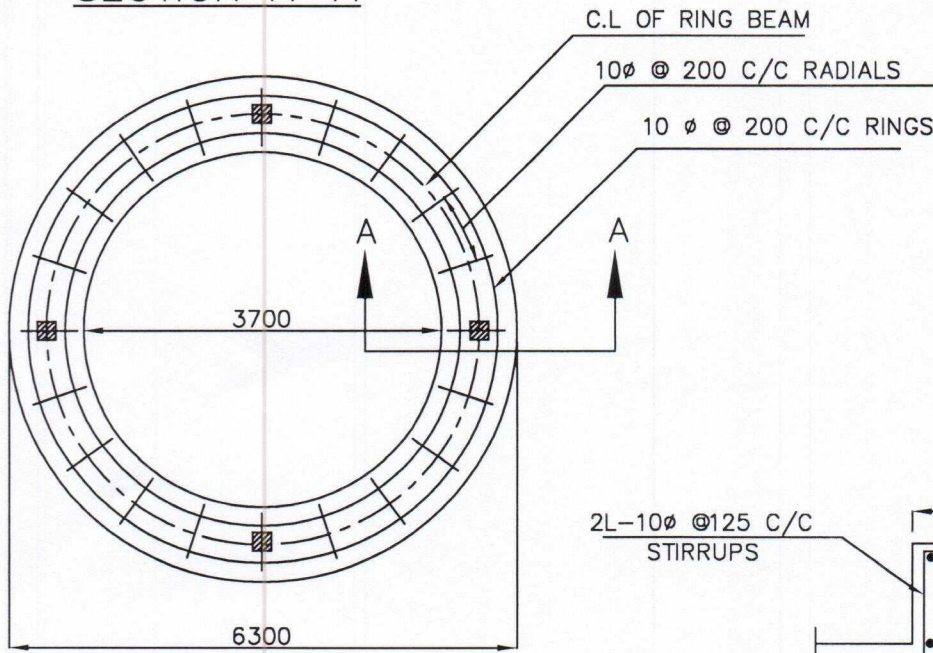
 TDWSP, Hyderabad

 11/5/17 11/5/17 11/5/17 11/5/17

Government of Telangana.	
Rural Water Supply & Sanitation Department	
Construction of 40 KL capacity OHSR/OHBR 12m staging column type	
Scale: Not to scale	sheet: 5 of 8
	REV: 01

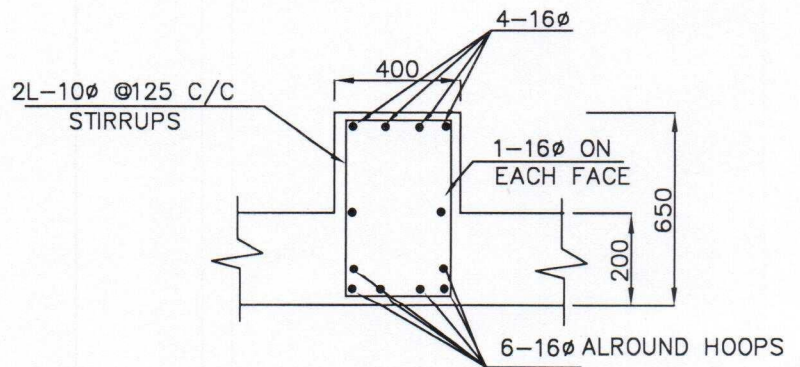


SECTION A-A



BOTTOM REINFORCEMENT OF RING FOUNDATION
SBC -15t/m²

NOTES: THIS DRAWING SUPERCEDES THE EARLIER APPROVED DRAWING FOR 40KL OHSR ON 17.04.2017

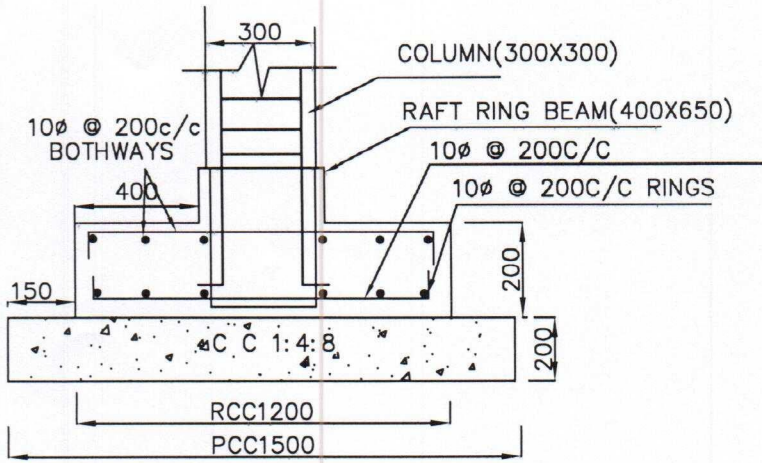


SECTION OF RING RAFT BEAM

// APPROVED //

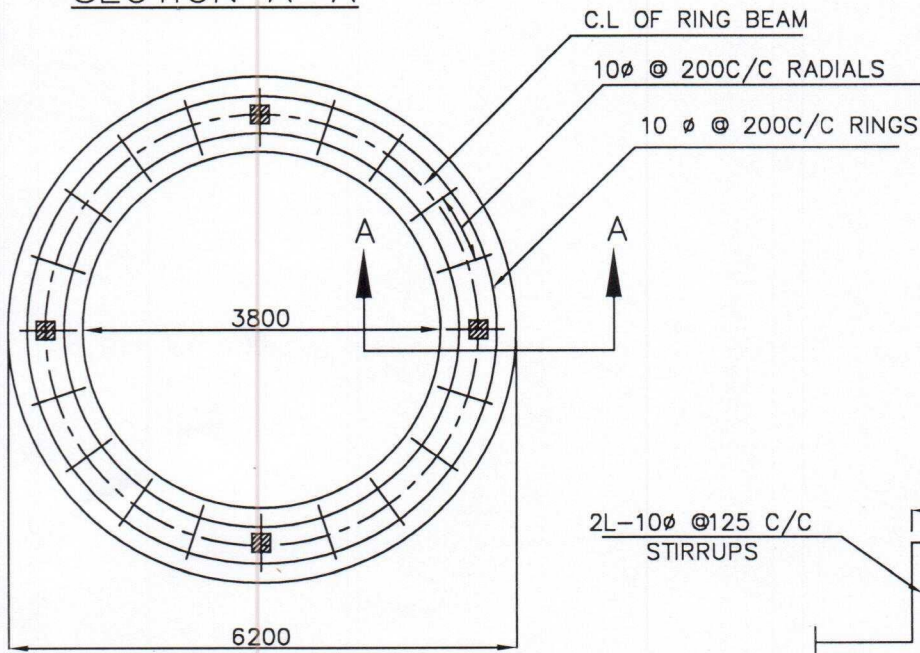
CE-I
CE-II
CE-III
TOWSP, Hyderabad
11/5/17
11/5/17
11/5/17
11/5/17

Government of Telangana.		
Rural Water Supply & Sanitation Department		
Construction of 40 KL capacity OHSR/OHBR 12m staging column type		
Scale: Not to scale	sheet: 6 of 8	REV : 01

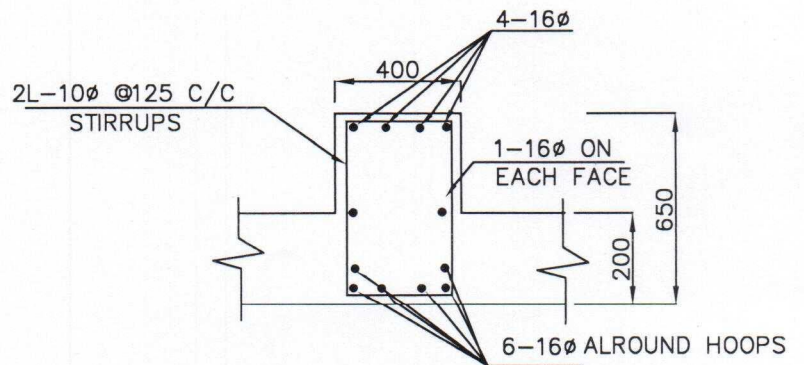


SECTION A-A

NOTE: THIS DRAWING SUPERCEDES THE EARLIER APPROVED DRAWING FOR 40KL OHSR ON 17.04.2017



BOTTOM REINFORCEMENT OF RING FOUNDATION
SBC -20t/m²

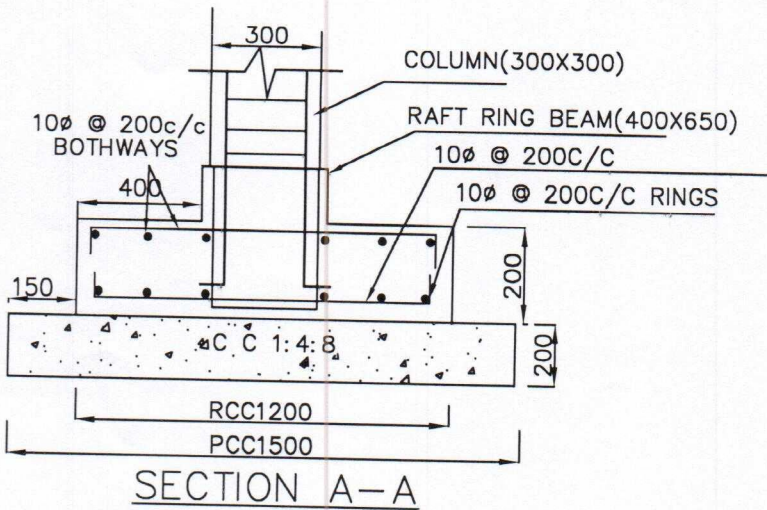


SECTION OF RING RAFT BEAM

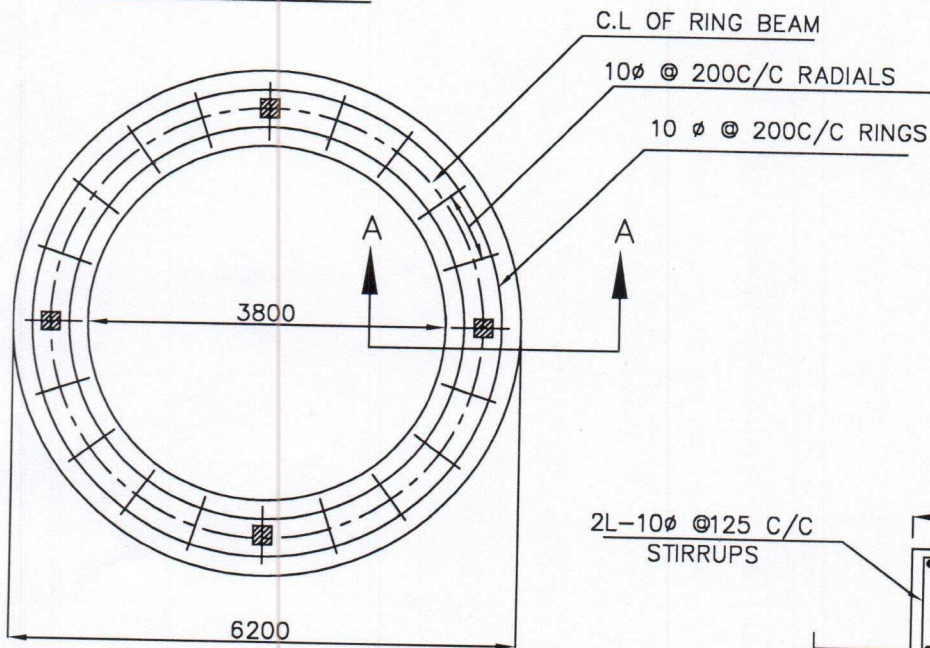
// APPROVED //

CE-I CE-II CE-III
 TDWSP, Hyderabad
 11/5/17 11/5/17 11/5/17 11/5/17 11/5/17

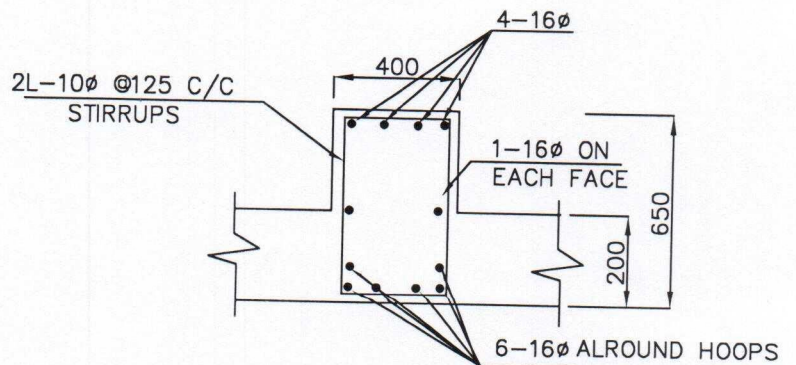
Government of Telangana.		
Rural Water Supply & Sanitation Department		
Construction of 40 KL capacity OHSR/OHBR 12m staging column type		
Scale: Not to scale	sheet: 7 of 8	REV: 01



NOTE: THIS DRAWING SUPERCEDES THE EARLIER APPROVED DRAWING FOR 40KL OHSR ON 17.04.2017



BOTTOM REINFORCEMENT OF RING FOUNDATION
SBC -30t/m²



SECTION OF RING RAFT BEAM

|| APPROVED ||

CE-I CE-II CE-III
TOWSP, Hyderabad

11/5/17 11/5/17 11/5/17

Government of Telangana.		
Rural Water Supply & Sanitation Department		
Construction of 40 KL capacity OHSR/OHBR 12m staging column type		
Scale: Not to scale	sheet: 8 of 8	REV : 01